



Wall or Cab Mount Bracket

available for handheld
Part No.
SU3282



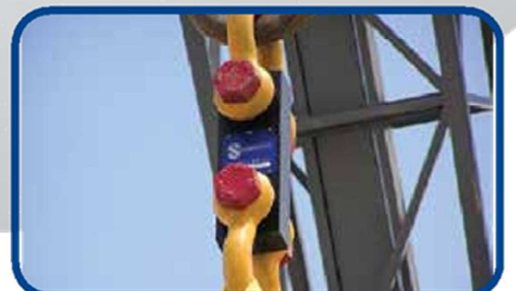
Building upon the ever popular and industry leading Loadlink Plus, Phoenix once again sets the bar for the Digital Dynamometer market. By adding industry leading wireless capabilities in the advanced microprocessor based electronics, the Radiolink Plus adds flexibility and increases safety, allowing the load to be monitored from up to 250 metres away.

The Phoenix Wireless System makes use of the latest in IEEE 802.15.4 (2.4 GHz) technology. The system's proprietary transport protocol utilises Direct Sequence Spread Spectrum (DSSS) and Quadrature Phase Shift Keying (QPSK) modulation, providing high integrity, error free transmission of data, and is unmatched in performance, capable of providing a license free transmission range of up to 250 metres or 800 feet. Constructed of high-quality aircraft grade aluminium, the advanced internal design structure provides the product with an unrivalled strength to weight ratio. The Link style load cell dynamometers are on average 30% lighter than our closest competitor with the same safety rating.

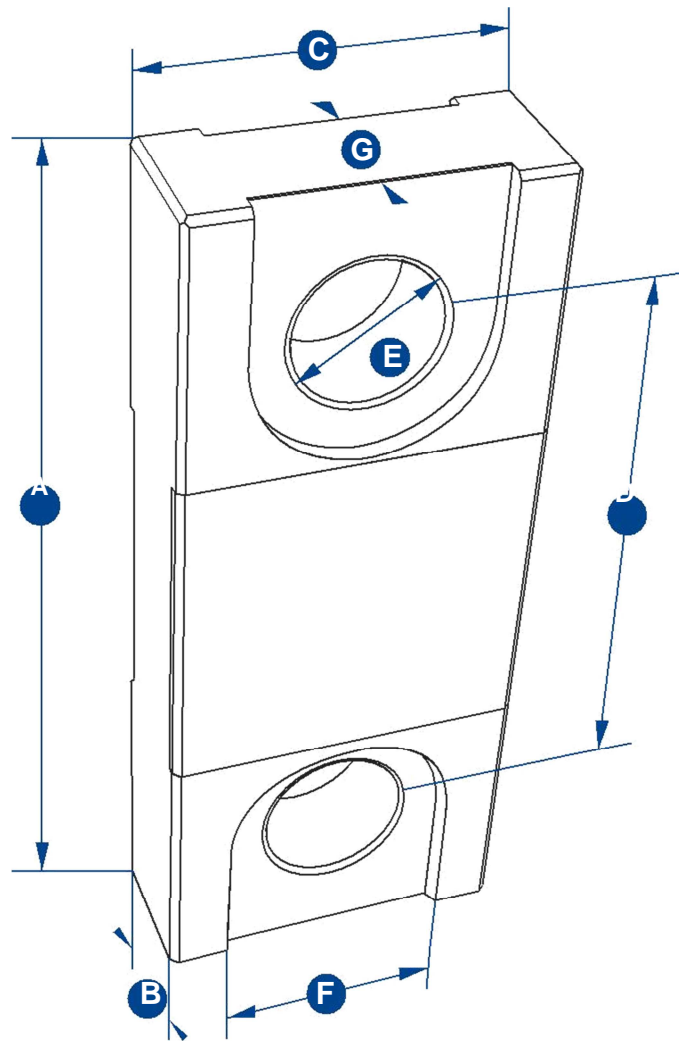
A full array of wireless accessories is also available including several user friendly windows based software packages allowing for the calculation of centre of gravity, the ability to data log and print reports, and the simultaneous display and monitoring of up to 24 Radiolink loadcells on a single PC screen.

Features and benefits:

- Proprietary 2.4 GHz Wireless
- Industry Leading Wireless Range
- Error Free Data Transmission
- Unrivalled Resolution
- Environmentally Sealed
- Audible Overload Alarm
- Unmatched Battery Life
- Internal Antennae
- Compact Size
- Remote On-Off
- Lightweight
- Peak Hold
- Advanced Options Available
- Tare



radiolink plus



radiolink plus

Part Number	RLP1T	RLP2T5	RLP5T	RLP12T	RLP25T	RLP35T	RLP50T	RLP75T	RLP100T	RLP150T	RLP200T	RLP250T	RLP300T		
Capacity	1000kg	2.5te	5te	12te	25te	35te	50te	75te	100te	150te	200te	250te	300te		
Resolution	0.5kg	0.001te	0.001te	0.002te	0.005te	0.005te	0.01te	0.01te	0.05te	0.05te	0.1te	0.1te	0.1te		
Units	kg	te	te	te	te	te	te	te	te	te	te	te	te		
Weight	1.5kg	1.5kg	2.2kg	3.5kg	5.2kg	9kg	11kg	18kg	37kg	51kg	80kg	80kg	132kg		
Safety Factor	12:1	5:1	5:1	5:1	5:1	5:1	5:1	5:1	4:1	4:1	5:1	4:1	4:1		
Battery Type	Handheld 2 x AA / Loadcell 4 x AA														
Battery Life	Handheld 400hrs / Loadcell 800hrs or 1600hrs continuous if using Lithium batteries														
Display Type	7 digit 8.8mm LCD														
Operating Temp	-10 to +50c														
Accuracy	± 0.3% of applied load														
Frequency	2.4GHz														
Range	250 metres														
Data Rate	3 updates per second														
Protection	IP65														
Dimension A	204	204	249	305	340	393	424	470	608	670	700	700	806		
Dimension B	43	43	43	47	60	75	75	75	99	99	144	144	150		
Dimension C	101	101	101	101	115	126	163	202	255	303	320	320	426		
Dimension D	146	146	165	193	215	225	230	260	320	360	350	350	350		
Dimension E	24.5	24.5	38	47.5	55	60	76	76	109	109	132	132	160		
Dimension F	48	48	66												
Dimension G	19	19	32												
Crosby Shackle												G209 or G2130		G2140	
Loading Pin Ø	19	19	25	35	51	57	57	70	83	95	121	127	152		

Specifications (mm)